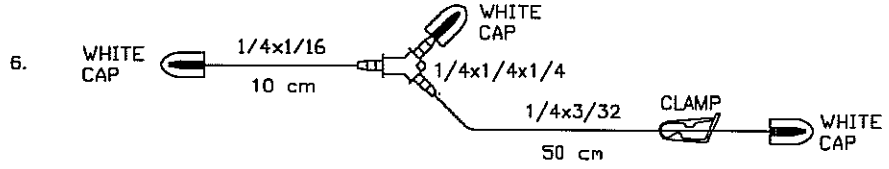


PLACE ON TOP OF TUBING
INSIDE SASH TRAY

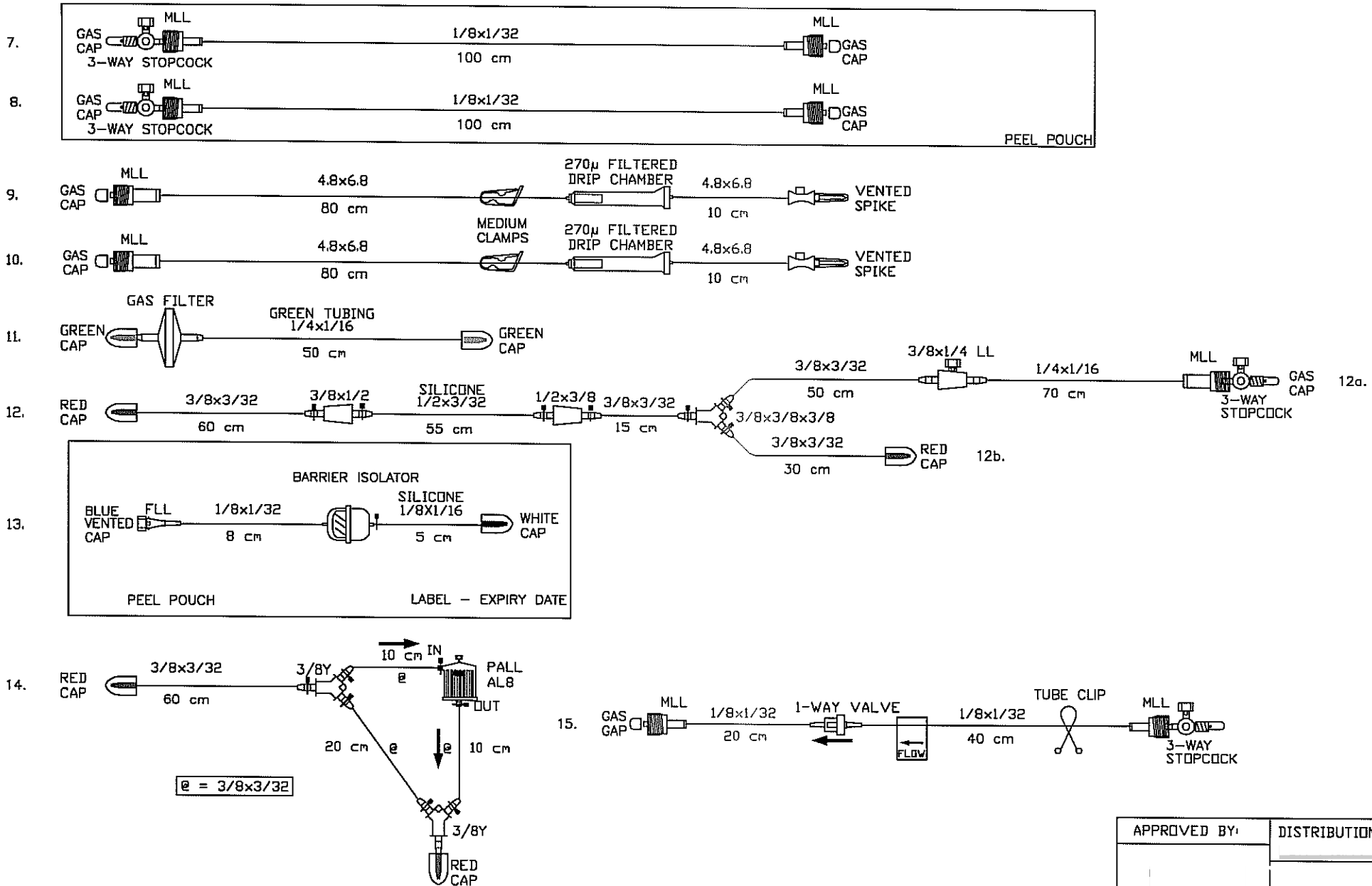
COIL LINES 1a & 1b ON TOP OF
LINES 2 & 3 INSIDE SASH TRAY

COIL AND TIE-BAND LINES 2 & 3
TOGETHER OUTSIDE SASH TRAY



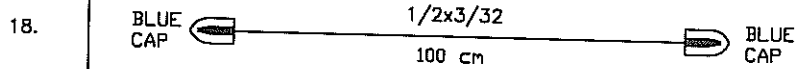
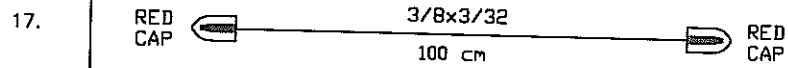
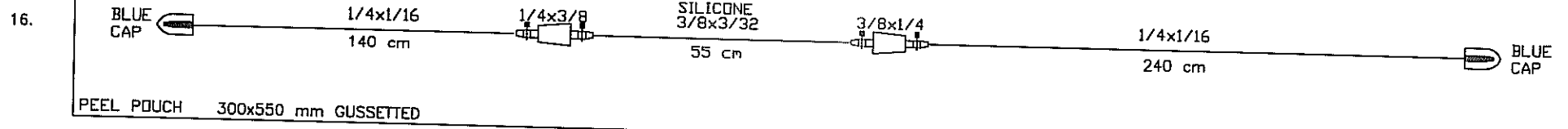
APPROVED BY:	DISTRIBUTION:

	HOSPITAL	PRODUCT CODE	DESCRIPTION			SHEET: 1/3
	S. GERARDO DEI TINTORI MONZA ITALY		ADULT TUBING SET	ISSUED: 01-03-01	AMENDED: 23/01/2008 SF	

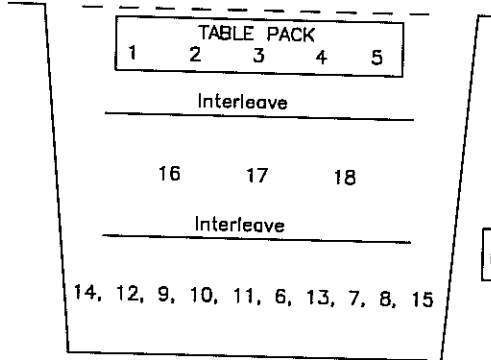


APPROVED BY:	DISTRIBUTION:

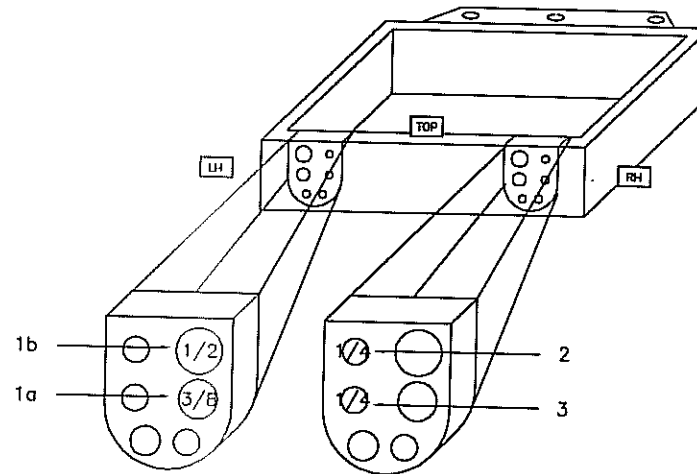
HOSPITAL	PRODUCT CODE	DESCRIPTION	ISSUED: 01-03-01	AMENDED: 23/01/2008 SF	SHEET: 2/3
S. GERARDO DEI TINTORI MONZA ITALY		ADULT TUBING SET			



PEEL POUCH



PACKING INSTRUCTIONS



APPROVED BY:	DISTRIBUTION:
	SHEET: 3/3
ISSUED: 01-03-01	AMENDED: 23/01/2008 SF

HOSPITAL	PRODUCT CODE	DESCRIPTION	
S. GERARDO DEI TINTORI MONZA ITALY		ADULT TUBING SET	